

MIG/MAG Welding Torch MB 15 AK air cooled



BINZEL. The right welding torch for every job!

BINZEL air cooled welding torches incorporate the high quality and technology needed for trouble-free performance whatever the welding job. All BINZEL torches are constructed to the highest standards and offer the greatest working comfort.

BINZEL torch features:

- Optimum cooling of the torch, extending torch life
- An ergonomic handle, ensuring comfort in every position
- Light and flexible cable assemblies, designed to reduce fatigue

Technical data (EN 50 078):

Rating: 180 A CO₂
150 A Mixed Gases M 21 (DIN EN 439)
60% Duty Cycle
Wire sizes: 0.6 - 1.0

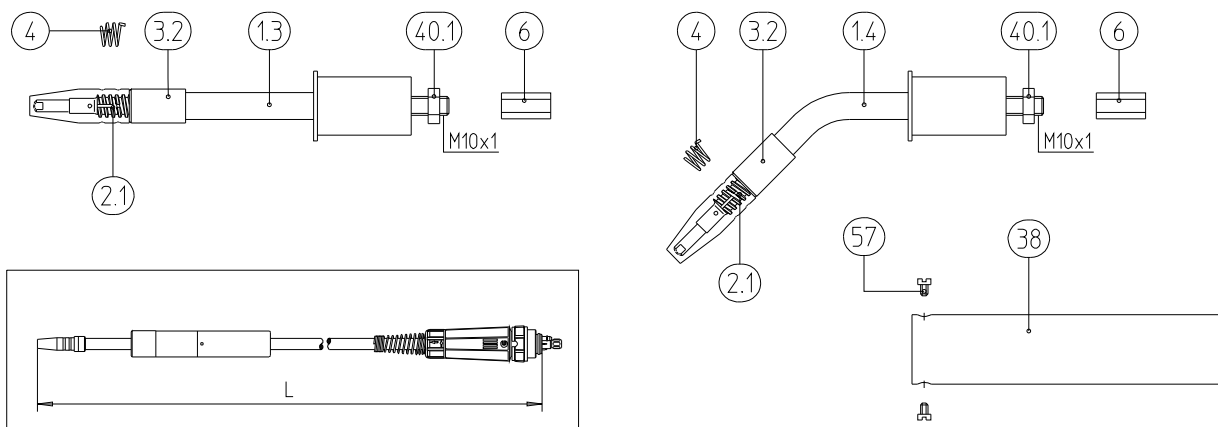
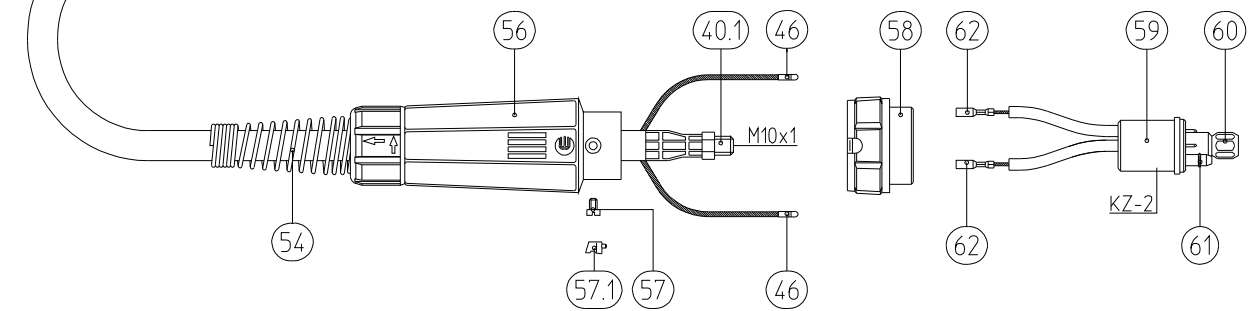
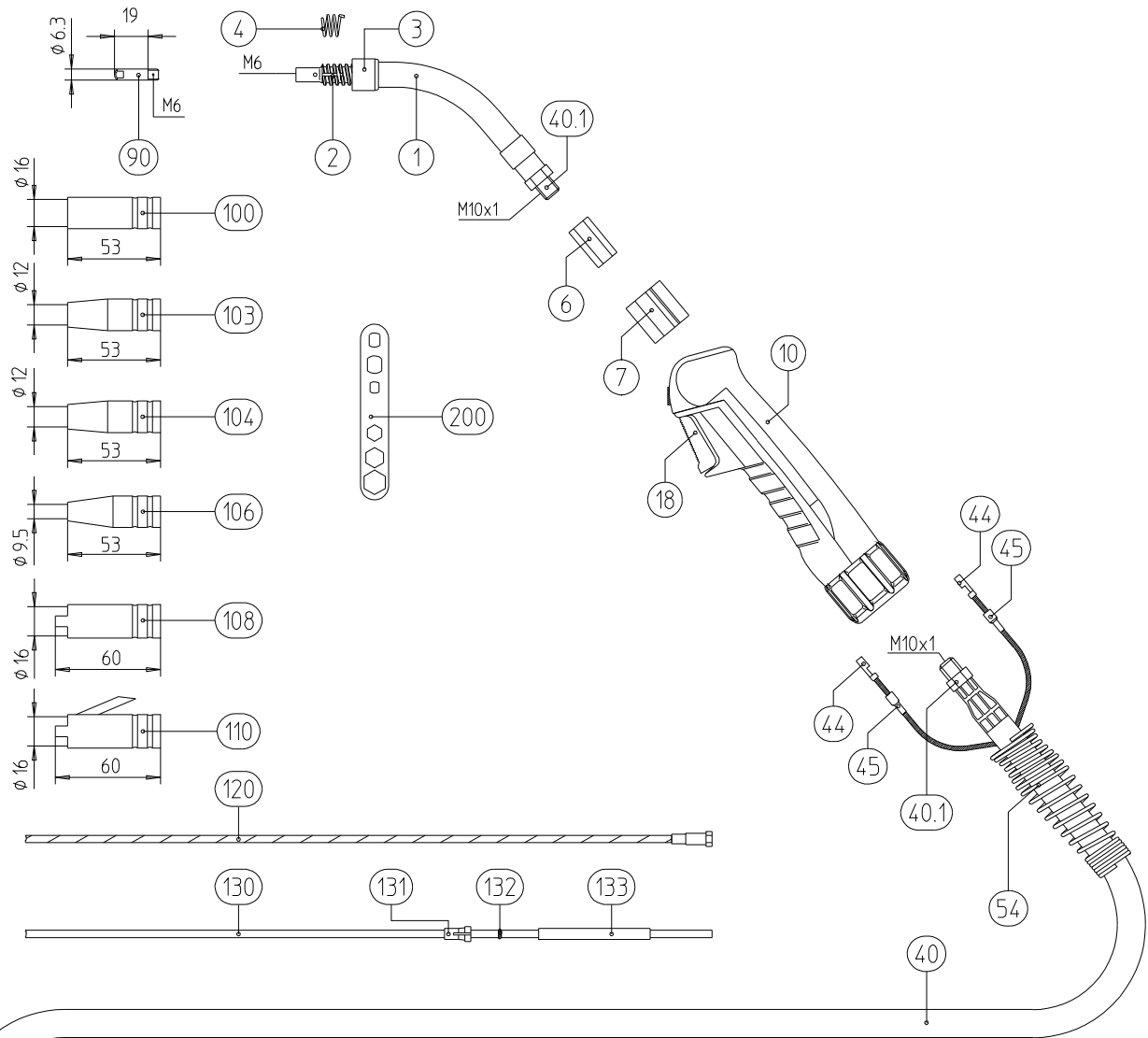
- Robust construction for durability and extended torch life
- A connecting system that allows easy torch changeover

Rated using power source with VDE standard volt/amp characteristic (U=14+0,05xl).
When pulse welding, reduce rating by 35%.

Type	Handle/Version	3.00 m long	4.00 m long	5.00 m long
		Part no.	Part no.	Part no.
MB 15 AK	Ergonomic	002.0449	002.0450	002.0451
AUT 15 AK	Handle tube, straight	902.0022	902.0034	902.0031
	Handle tube, bent	902.0023	902.0035	902.0032

For welding and cutting come to the point.





Build group	Pos.	Description	Specifications	Part no.
Torch	1	Swan neck MB 15 AK, 50° bent		002.0009
	1.3	Swan neck AUT 15 AK, straight		902.0003
	1.4	Swan neck AUT 15 AK, 45° bent		902.0004
	2	Gas nozzle holder		002.0078
	2.1	Gas nozzle holder		902.0007
	3	Head insulator	10 pcs.	002.0050
	3.2	Head insulator	10 pcs.	902.0015
4	Nozzle spring	20 pcs.	002.0058	
6	Torch body, brass		400.0114	
7	Torch body, plastic		400.0044	
Handle	10	Ergonomic handle, cpl., with trigger		180.0076
		Handle, top		400.0333
		Handle, bottom		400.0335
		Lock ring NW 31		400.0297
		Screw 18x8	20 pcs.	400.0340
		Screw 3.5x9.5	20 pcs.	079.0034
	18	Trigger 2 pol.		185.0031
38	Handle tube AUT		180.0001	
Cable assembly	40	Bikox power cable 3.00 m	B4	160.0065
		Bikox power cable 4.00 m	B4	160.0078
		Bikox power cable 5.00 m	B4	160.0091
	40.1	Hexagon nut M10x1	10 pcs.	001.0009
	44	Trigger wire connector	20 pcs.	175.0022
	45	Insulating sleeve	20 pcs.	400.0119
	46	Trigger wire connector, male	20 pcs.	175.0004
	54	Cable support spring NW 19		500.0225
	56	Cable support machine side		501.2248
	57	Screw M4x6	20 pcs.	000.0552
	57.1	Covering cap 1	20 pcs.	500.0251
	58	Adaptor nut		500.0213
	59	Central adaptor block KZ-2		501.0003
		Central adaptor block KZ-2 without control leads		501.0028
60	Nut M10x1	10 pcs.	501.0082	
61	O-ring 4x1	20 pcs.	165.0002	
62	Trigger wire connector, female	20 pcs.	175.0003	
Wear parts	90	Contact tip M6 E-Cu, Ø 0.6	10 pcs.	140.0008
		Contact tip M6 E-Cu, Ø 0.8	• 10 pcs.	140.0059
		Contact tip M6 E-Cu, Ø 1.0	10 pcs.	140.0253
		Contact tip M6 CuCrZr, Ø 0.6	10 pcs.	140.0855
		Contact tip M6 CuCrZr, Ø 0.8	10 pcs.	140.0062
		Contact tip M6 CuCrZr, Ø 1.0	10 pcs.	140.0256

Build group	Pos.	Description	Specifications	Part no.
Wear parts		Contact tip M6 E-Cu, Ø 0.8 for alu wire	10 pcs.	141.0002
		Contact tip M6 E-Cu, Ø 1.0 for alu wire	10 pcs.	141.0007
	100	Gas nozzle, cylindrical ND Ø 16.0	10 pcs.	145.0041
	103	Gas nozzle, conical ND Ø 12.0	• 10 pcs.	145.0075
	104	Gas nozzle, conical, with extended insulation ND Ø 12.0	10 pcs.	145.0107
	106	Gas nozzle, tapered ND Ø 9.5	10 pcs.	145.0123
	108	Spot weld, gas nozzle ND Ø 16.0	10 pcs.	145.0168
	110	Spot weld, gas nozzle for stud. welding ND Ø 16.0	10 pcs.	145.0186
	120	Insulated liner 1.5/4.5 blue with nipple for wire ¹⁾ Ø 0.6-0.8	• for 3.00 m	124.0011
			• for 4.00 m	124.0012
			• for 5.00 m	124.0015
		Insulated liner 2.0/4.5 red with nipple for wire ¹⁾ Ø 1.0-1.2	for 3.00 m	124.0026
			for 4.00 m	124.0031
			for 5.00 m	124.0035
	130	Teflon core liner 1.5/4.0 blue with collet and o-ring for wire ²⁾ Ø 0.6-1.0	for 3.00 m	126.0005
			for 4.00 m	126.0008
			for 5.00 m	126.0011
		Teflon core liner 2.0/4.0 red with collet and o-ring for wire ²⁾ Ø 1.0-1.2	for 3.00 m	126.0021
			for 4.00 m	126.0026
			for 5.00 m	126.0028
Carbon Teflon core liner 1.5/4.0 with collet and o-ring for wire ²⁾ Ø 0.6-1.0		for 3.00 m	127.0002	
		for 4.00 m	127.0003	
		for 5.00 m	127.0004	
Carbon Teflon core liner 2.0/4.0 with collet and o-ring for wire ²⁾ Ø 1.0-1.2		for 3.00 m	127.0005	
		for 4.00 m	127.0007	
		for 5.00 m	127.0008	
131	Collet for core liner at Ø 4.0	20 pcs.	131.0001	
132	O-ring 3.5x1.5	20 pcs.	165.0008	
133	Guide tube for core liners up to Ø 4.0	to 200 mm	129.xxxx	
200	Spanner	10 pcs.	191.0001	

¹⁾ Applicable for GMA welding of un-alloyed and low alloyed steels (DIN 8555 and 8559).

²⁾ Applicable for GMA welding of aluminium (DIN 1732), copper and copper alloys (DIN 1733) and nickel/nickel alloys (DIN 1736); Also for use with GMA welding of stainless and heat resistant steels (DIN 8556).

• Standard - Equipment

For welding and cutting come to the point.



Alexander Binzel Schweißtechnik GmbH & Co. KG
P.O. Box 10 01 53 • D-35331 Gießen
Tel.: ++49 (0) 64 08 / 59-0
Fax: ++49 (0) 64 08 / 59-191
Internet: <http://www.binzel-abicor.com>